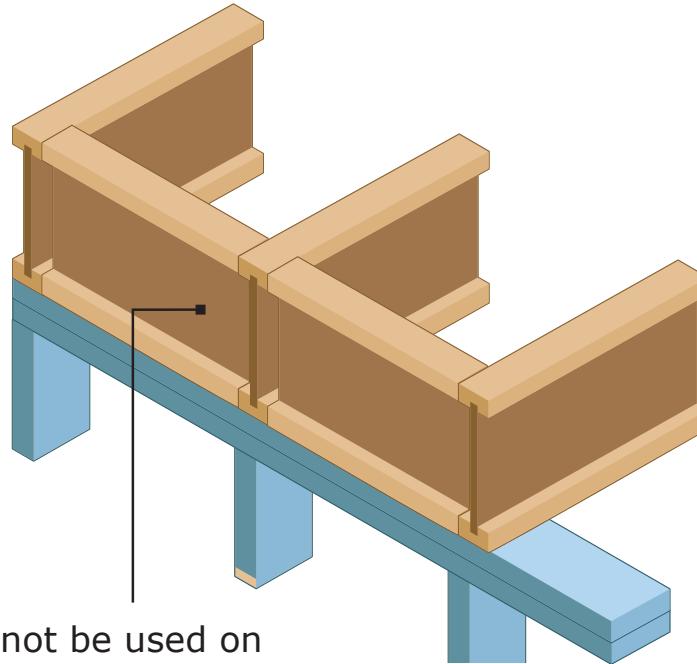


F3

Blocking option for lateral support



LIB Blocking. Cannot be used on external boundary unless all joists are treated to approved level